



# Hurricane ScreenSaver®

## 1. Attach Brackets to Screen Enclosure

(Brackets should be permanently installed prior to Hurricane season)

Each bracket should be installed directly above a vertical beam. Brackets should be spaced above beams which fall 10' to 15' apart. (Fig.1)

**NOTE:**  
Brackets **MUST**  
be installed above  
a vertical  
beam

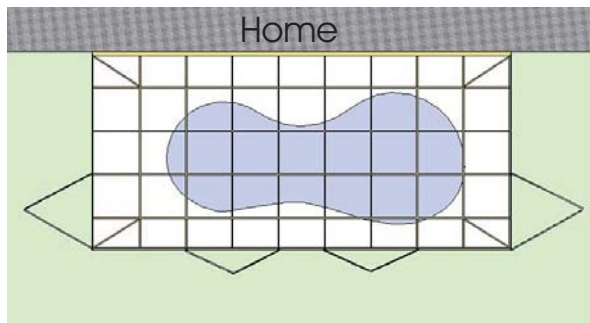


Fig. 1

Locate the bracket on the beam as shown. (Fig. 2) Use four ceramic coated self-drilling screws to attach the bracket directly over a vertical beam. (Fig. 3)

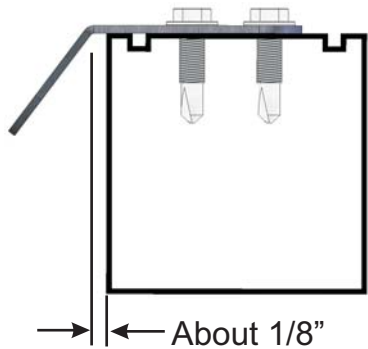


Fig. 2



Fig. 3

Store ground anchors and strapping with hurricane supplies for easy retrieval.

## Hurricane Preparation

### 2. Attach Strapping to ScreenSaver Brackets

Snap the black bushings into the three holes in each ScreenSaver bracket. (Fig. 4)

Feed strapping through bracket hole B (center hole) from the top. Feed up through hole A from the back side, then under the strap and down through hole C. Tie a knot in the end. (Fig. 5) Pull strapping back toward you until knot is taut against the underside of the bracket. (Fig. 6)

**NOTE:**  
Anchors and  
Straps are used  
only during  
hurricanes

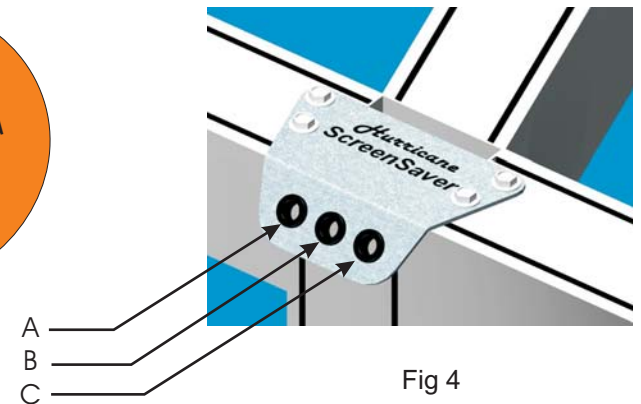


Fig 4



Fig 5



Fig 6

### 3. Install Ground Anchors and Attach Straps

On the short sides of the enclosure (labeled A, Fig. 7), the following is recommended: For an 8 foot tall enclosure measure out 6 feet from the base and install a ground anchor centered between the brackets. For 12 foot tall enclosures measure out about 8 feet to locate the anchor position.

On the long side of the enclosure (labeled B, Fig. 7), the following is recommended: For an 8 foot tall enclosure measure out 4 feet from the base and install a ground anchor centered between the brackets. For 12 foot tall enclosures measure out about 6 feet to locate the anchor position.

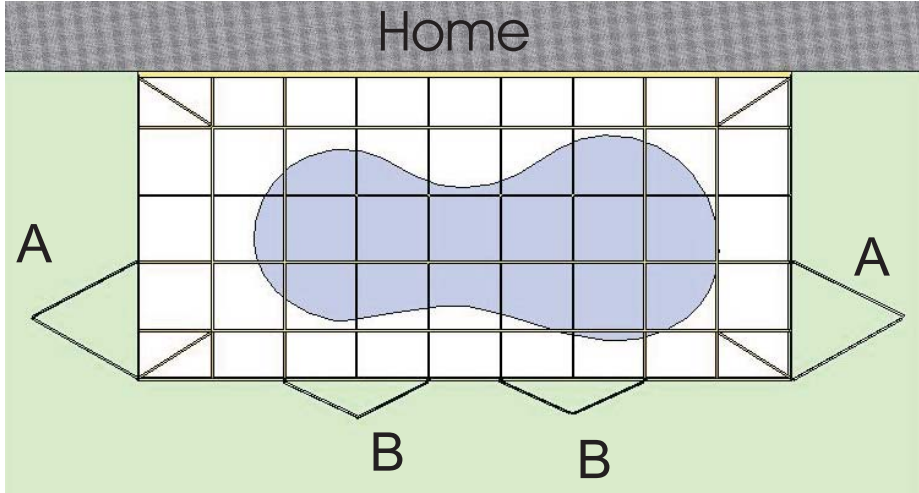


Fig. 7

**WARNING** - Be sure you are aware of and avoid all underground utilities, plumbing and equipment when installing the anchors.

**NOTE:**  
Screw anchors  
into ground as far  
as possible.

### 4. Attach Strapping to Ground Anchors

Place several twists in the strap to minimize vibration in high winds.

**It is very important to properly tighten straps during installation**

About 12 inches above the anchor, feed the strap through the buckle and tie a knot. (Fig. 8, 9 & 10)



Fig 8



Fig 9



Fig 10

Feed the strap through the eye in the anchor and feed it through the buckle as shown. (Fig. 11) Pull downward to tension the strap (approx. 50 lbs). The buckle will hold the strap taut allowing you to tie several more knots in the strap. (Fig. 12) It is important that the strap is installed with no slack. Tie a minimum of 4 standard knots (half-hitches) around the strap above the bracket. (Fig. 13) For extra reliability you can wrap the knot with duct tape.



Fig. 11



Fig. 12



Fig. 13

**NOTE:**  
It is important that  
the straps are  
tensioned to  
approx. 50 lbs

Store ground anchors and strapping with hurricane supplies for easy retrieval.